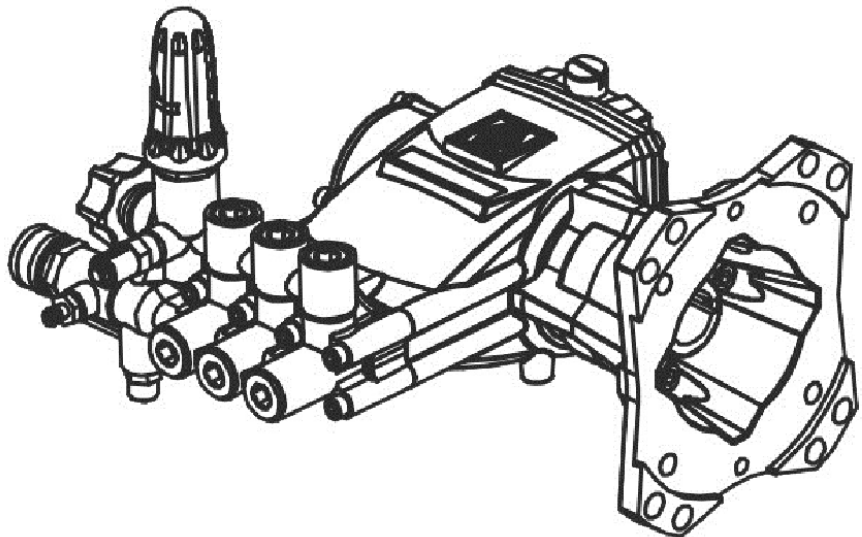
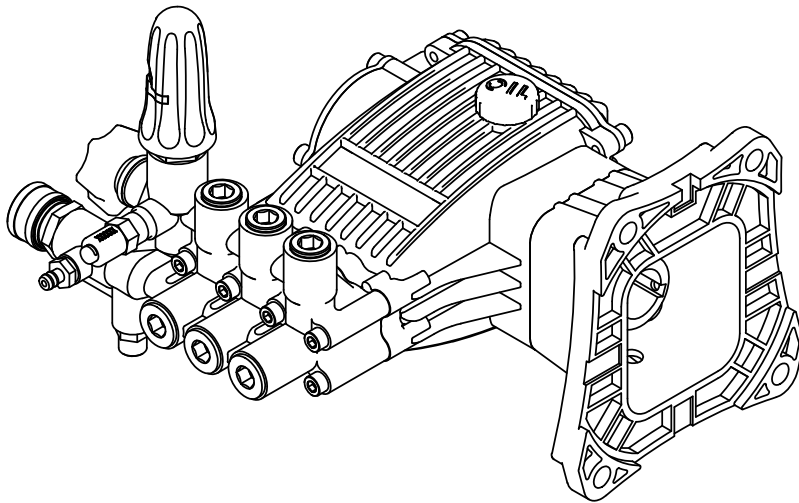


OEM 41&42 SERIES PUMP IPL

PUMPS COVERED IN THIS IPL

530010 (53BRD35)



	NAME	DATE
DRAWN	JHS	AUG 2017
CHECKED	DH/OSW	AUG 2017
ENG APPR.	OSW	AUG 2017
MFG APPR.	-	-
Q.A. APPR.	-	-
SERVICE APPR.	DH	AUG 2017

PROPRIETARY AND CONFIDENTIAL
 THE INFORMATION CONTAINED IN THIS DRAWING IS THE SOLE PROPERTY OF FNA-GROUP. ANY REPRODUCTION IN PART OR AS A WHOLE WITHOUT THE WRITTEN PERMISSION OF FNA-GROUP IS PROHIBITED.

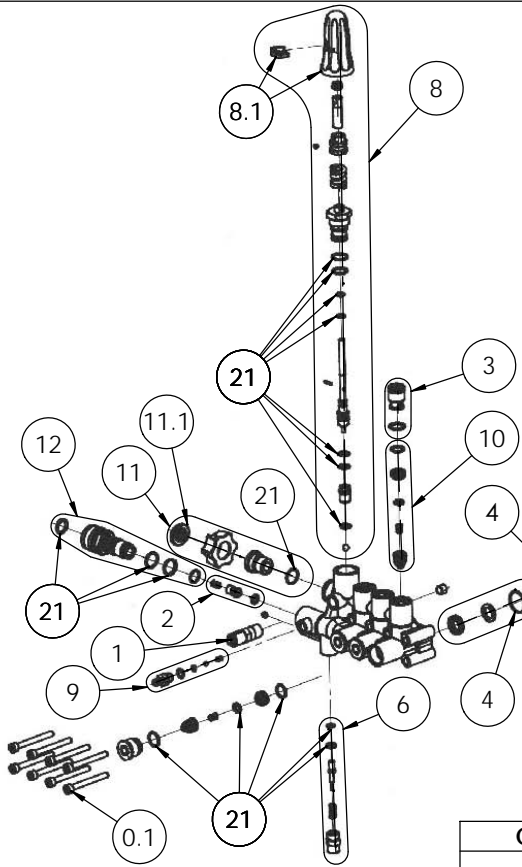
FNA-GROUP

1265 INDUSTRIAL STREET, DECATUR, AR 72722

TITLE:

C41, C42 SERIES PUMP,
 HORIZONTAL

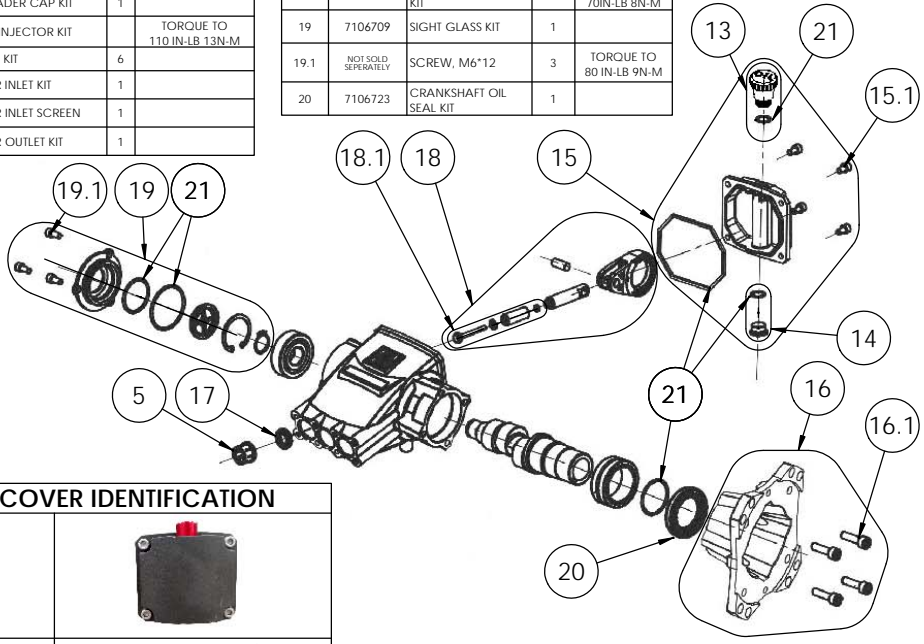
SIZE	DWG. NO.	REV.
A	530010-C	C
SCALE: N/A	ECN# EC180251	SHEET 1 OF 2



MANIFOLD KIT P/N 7108752				
ITEM	PART NO.	DESCRIPTION	QTY	COMMENT
0.1	NOT SOLD SEPARATELY	SCREW, M6*55	8	TORQUE TO 106 IN-LB 12N-M
1	7101359	THERMAL RELIEF VALVE	1	TORQUE TO 159 IN-LB 18N-M
2	7110139	CHECK VALVE KIT	1	
3	7110140	VALVE CAP KIT	6	1 KIT REQ'D TORQUE TO 177 IN-LB 20N-M
4	7110142	SEAL RETAINER KIT	3	
5	7110144	SEAL SPACER KIT	3	
6	7106628	KIT, BOOST VALVE	1	TORQUE TO 159 IN-LB 18N-M
7	7106733	WATER SEAL KIT	3	
8	7108747	UNLOADER KIT	1	
8.1	7109325	UNLOADER CAP KIT	1	
9	7104228	SOAP INJECTOR KIT		TORQUE TO 110 IN-LB 13N-M
10	7108750	VALVE KIT	6	
11	7110330	WATER INLET KIT	1	
11.1	7000123	WATER INLET SCREEN	1	
12	7110331	WATER OUTLET KIT	1	

CRANKCASE KIT P/N 7110147				
ITEM	PART NO.	DESCRIPTION	QTY	COMMENT
13	7111013	OIL BREATHER KIT	1	
14	SEE ID TABLE BELOW	OIL PLUG KIT	1	TORQUE TO 159 IN-LB 18N-M
15		REAR CRANK COVER KIT	1	
15.1	SEE ID TABLE BELOW	SCREW, M6*12	4	TORQUE TO 80 IN-LB 9N-M
16		MOUNTING FLANGE KIT		
16.1	SEE ID TABLE BELOW	SCREW, M8X30	4	TORQUE TO 221 IN-LB 25N-M
17		7105741	OIL SEAL SET	1
18	7110150	CONNECTING ROD/PISTON KIT	1	
18.1	7110828	CERAMIC PLUNGER KIT	3	TORQUE TO 70 IN-LB 8N-M
19	7106709	SIGHT GLASS KIT	1	
19.1	NOT SOLD SEPARATELY	SCREW, M6*12	3	TORQUE TO 80 IN-LB 9N-M
20	7106723	CRANKSHAFT OIL SEAL KIT	1	

MISC. PARTS		
ITEM	PART NO.	DESCRIPTION
21	7110146	ORING KIT, COMPLETE



CRANKCASE COVER IDENTIFICATION	
COVER KIT P/N: 7110141	COVER KIT P/N: 7111012
VENT CAP P/N: 7108868	VENT CAP P/N: 7111013
OIL PLUG P/N: 7110127	OIL PLUG P/N: 7111014
FLANGE KIT P/N: 7111016	FLANGE KIT P/N: 7111015
CRANKCASE COVERS ARE NOT INTERCHANGEABLE BOTH TYPES OF SEAL INCLUDED IN ORING KIT (7110146)	